



LANDER

Unik (base unit and basin)

DIMENSIONS

Length 1000 mm.

Width 460 mm.

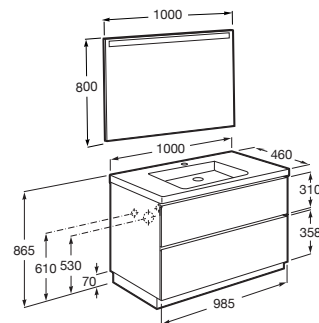
Height 865 mm.

COLOURS AND FINISHES



402 City oak

TECHNICAL DRAWINGS



FEATURES

Base unit / Closing and opening system: Soft close drawers

Base unit / Doors and drawers combination: 2 drawers

Base unit / Internal dividers

Base unit / Structure: Drawers

Basin / Integrated shelf

Basin / Shelf position: On both sides

Basin / Taphole configuration: 1 taphole in the middle

Basin Position: Central

Dimensions / Basin and base unit / Height (mm): 910

Dimensions / Basin and base unit / Length (mm): 1000

Dimensions / Basin and base unit / Width (mm): 460

Installation type: Floor-standing

Material / Base unit: Chipboard

Material / Basin: Vitreous china

Space-saving waste included

Tap installation: On the basin

COMPATIBLE WITH



Optional leg set (x4)

816824339



Organizing box

816820409



Organizing box

816819409

## Lander

Due to its floor installation, the drawers are larger than usual, which results in greater storage capacity. Its versions with asymmetrical basin offer a practical shelf to place the most frequently used toiletries. Its base, manufactured in damp-proof wood, prevents water penetration, hindering the appearance of humidity.

